



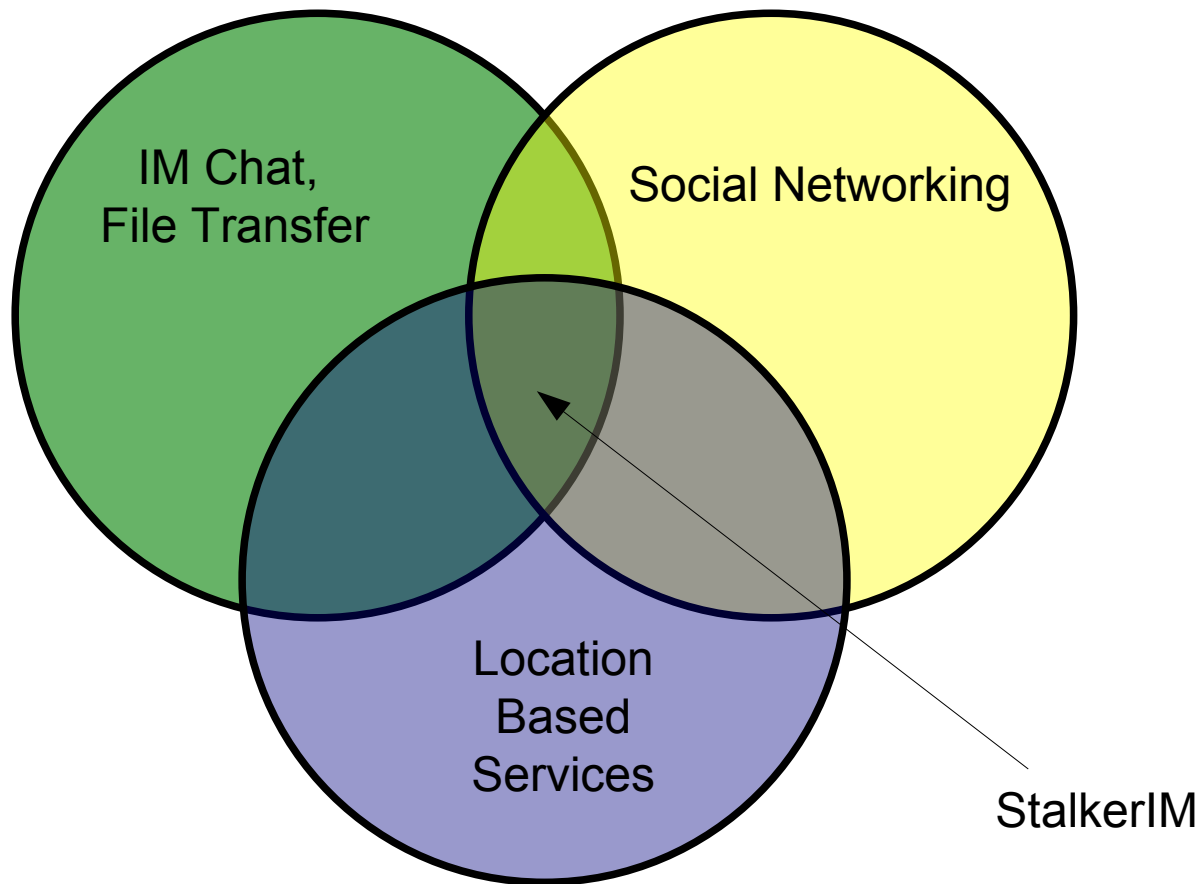
Application Development for Mobile and Ubiquitous Computing

Seminar Task 2nd Presentation

Team2

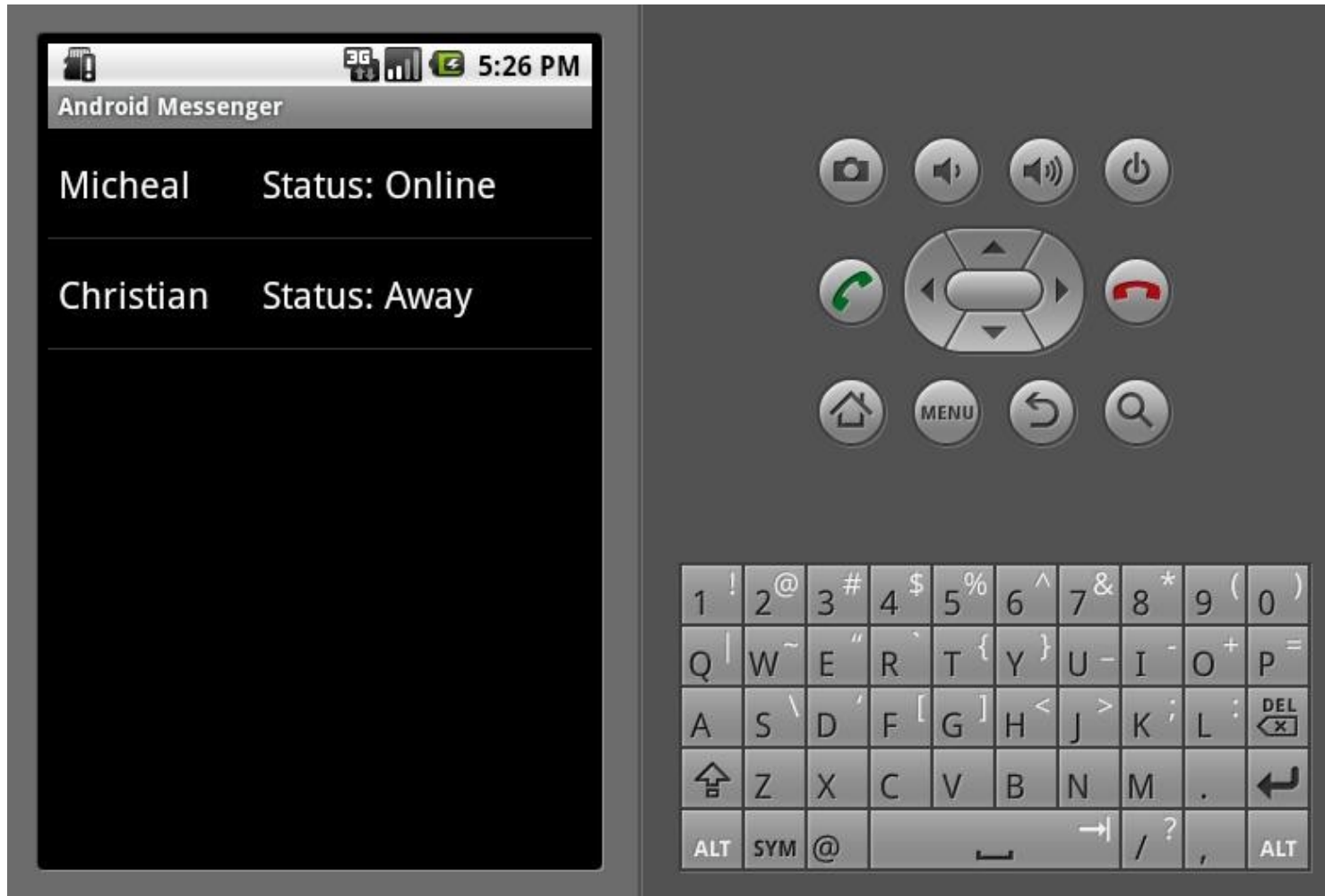
Christian Magenheimer / Michael Jahn

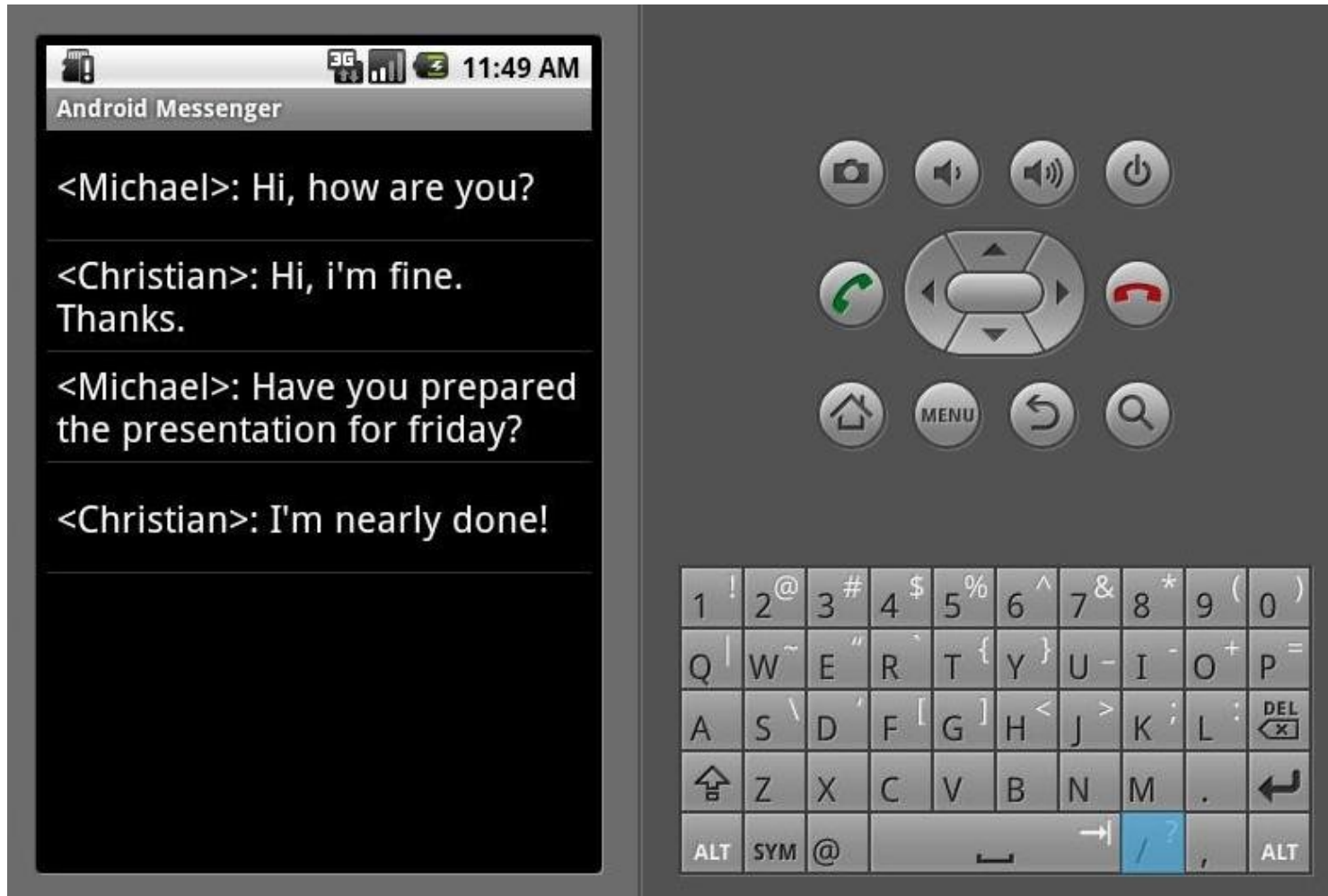
Dresden, 12/18/09

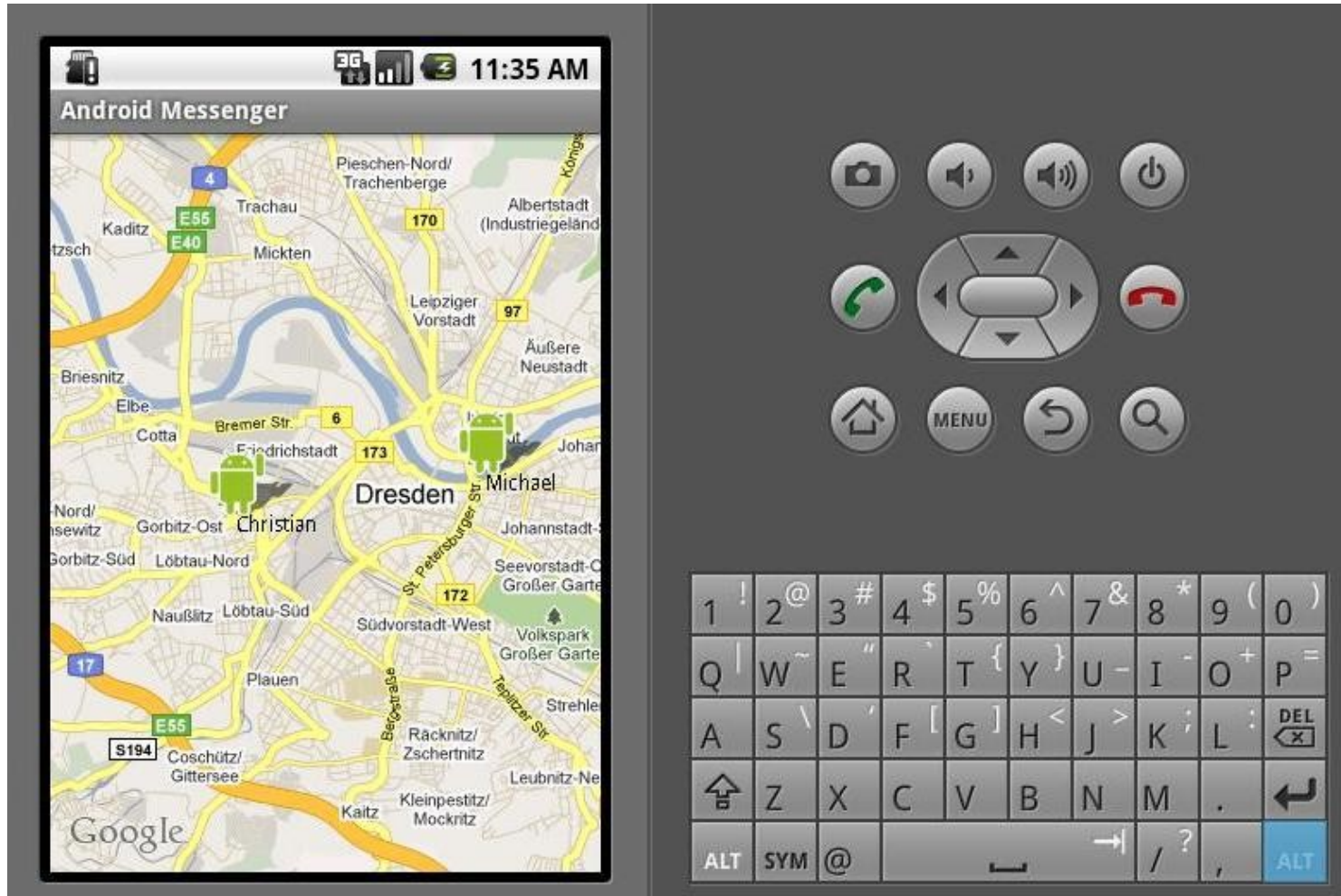


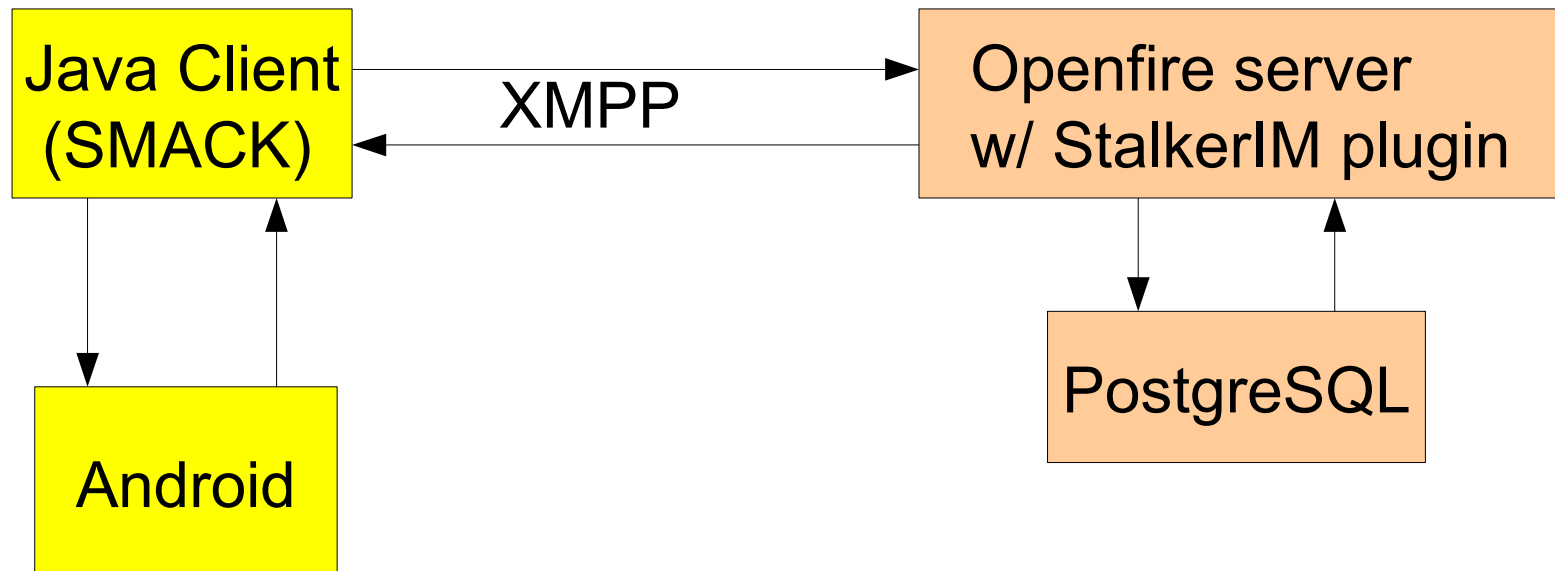
- Instant Messenger
 - chat, share media
 - see your contact list
- interest based social networking
 - define your own interests, get in touch with (locate!) people having similar interest
- locate friends on a map

GUI ContactListView









- Openfire is using a database to store (user) data
- ofUser(username, ...)
- → CREATE 4 additional tables
- ofSIMUser(username, mode, locatepolicy)
- ofSIMUserPermission(username, buddyname, level, distance)
- ofSIMInterestGroup(id, name) --, description, moderator) or one more table for moderators? This project: KISS!)
- ofSIMUser2IG(username, groupid, weight)
- Keep all data in a HashMap at runtime, use the database only for persistent operations

- IQPackets!
- Specialize an IQHandler for all client requests
- IQ: Type.set | Type.get → Type.error | Type.result
- CoordsIQHandler
- PermissionIQHandler
- InterestIQHandler
- ModeIQHandler

- To do:
 - fill the IQHandler.handleIQ() methods
 - Test it.

You just lost ~5 minutes of your life.

Thanks.